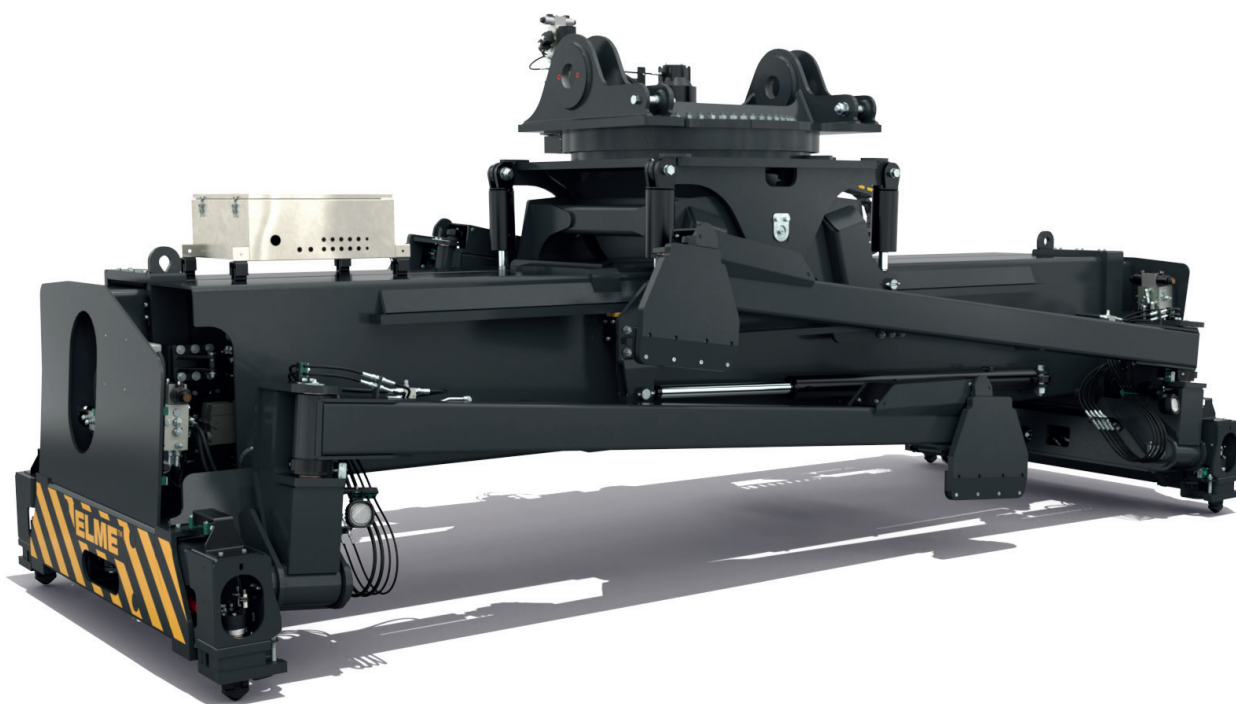


MODEL 877 WTP

INTERMODAL TOP LIFT SPREADER FOR LADEN
CONTAINER HANDLING WITH REACH STACKERS



Standard supply includes:

- ◆ Mounting arrangement to fit the boom head
- ◆ Four pendular ISO twistlocks
- ◆ Lifting eyes near twistlocks
- ◆ Hydraulic powered pile slope (PPS)
- ◆ Hydraulic telescoping
- ◆ Hydraulic stops
- ◆ Hydraulic sideshift
- ◆ Hydraulic rotation
- ◆ Hydraulic leg folding
- ◆ Hydraulic clamp and unclamp
- ◆ Solenoid valves for all hydraulic functions
- ◆ Four foldable piggyback legs in an automatic sequence with block stacking
- ◆ Electrical and mechanical twistlock protection and indication system
- ◆ Electric telescoping system protection
- ◆ Electrical protection indication system for trailer handling
- ◆ Lift interrupt signal
- ◆ LED-indication lights
- ◆ LED-work lights
- ◆ WTP
- ◆ North American trailer handling

ELME Spreader Model 877 WTP is a container and trailer handling spreader for handling of laden ISO, WTP and US-domestic containers weighing up to 40 tonnes. 877 WTP is designed for use with reach stackers.

The strong and basic concept offers distinct advantages, such as two parallel telescopic beams, assuring max overlap. The beam sections are dimensioned to absorb not only the vertical, but also the very considerable horizontal forces.

TWISTLOCK SYSTEM

The twistlock system is manufactured in a rugged design and is well-proven since many years. 877 WTP has hardened, pendulling ISO twistlocks, hydraulically activated with electrical and mechanical interlocking against faulty locking and unlocking.

PIGGYBACK LEGS SYSTEM

The leg arrangement is done according to the ELME design system which is a load clamping system that involves all four foldable piggyback legs in an automatic sequence. Thanks to this feature the spreader can be lowered between containers that are block stacked front to front and side to side. Integrated in each leg/foot is a clamping sensor that signals to the driver that the trailer is ready to be lifted.

The folding is sequential as standard but outside of the 30ft-position it is parallel for reduced folding/unfolding time.

TELESCOPING, SIDESHIFT AND ROTATION SYSTEM

Extension is powered by one hydraulic cylinder inside each beam. Sideshift is executed by two hydraulic cylinders on the outside of the mainframe. Rotation is done by a slewing ring with double transmissions for turning and brakes for holding.

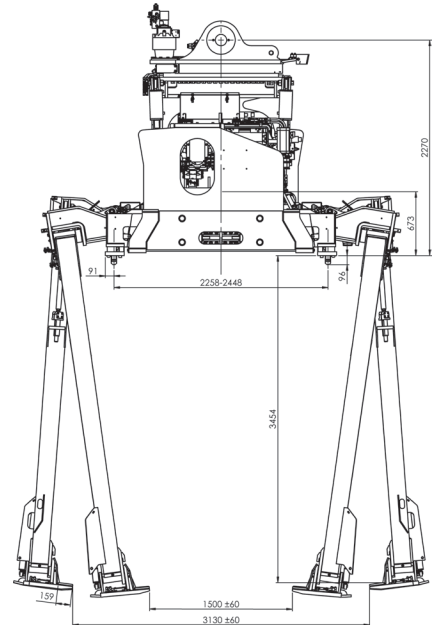
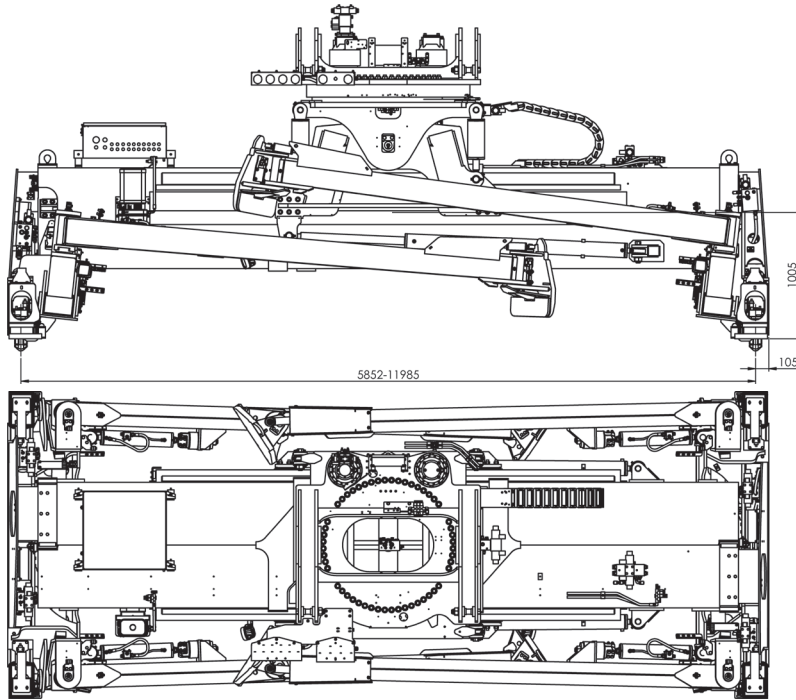
WTP-SYSTEM

The WTP option built into the spreader endbeams allows the operator to hydraulically change the twistlock positions to handle ISO and US-domestic containers as well as WTP containers.

CONTROL AND PROTECTION SYSTEM

Electrical systems monitor the state of the spreader at all times. Indicator lights advise the operator when the spreader is correctly seated, locked or not locked and in intermodal mode, clamped or not clamped. The signals are preconditions for the important protection functions of the spreader such as twistlock activation, telescoping, piggyback legs and lift interrupt.

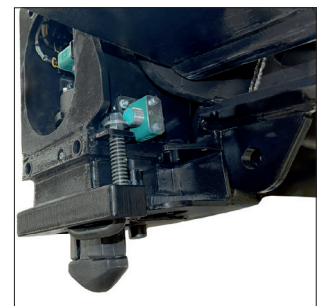
MODEL 877 WTP



877 WTP.



Piggyback foot, North American Standard.



Twistlock and lifting eye.

TECHNICAL SPECIFICATIONS

Type of lifting system	Four vertical twistlocks
Spreader weight (TW)	16 000 kg without extra equipment
Lifting capacity (SWL), spreader	40 tonnes ± 10 % eccentric load
Lifting capacity (SWL), piggyback	40 tonnes ± 10 % eccentric load
Lifting capacity (SWL), lifting eyes	4 x 10 tonnes
Twistlock	ISO pendular 20 mm
WTP	< 5 sec.* ISO pos. 2 258 mm WTP pos. 2 448 mm
Telescopic positions	20, 30 and 40ft
Telescoping speed, 20-40ft	< 25 sec.*
Telescoping speed, 40-20ft	< 25 sec.*
Rotation, 105° CW/195° CCW	< 42 sec. between endpoints*
Sideshift, ± 800 mm	< 26 sec.*
Power pile slope (PPS)	± 6°
Legs clamping distance, min / max	1,500 ± 60 mm / 3,130 ± 60 mm
Legs centre distance, min / max	5,264 - 11,397 mm
Hydraulics, operating pressure up to	140 bar
Hydraulics, flow	40-60 L/min
Electric - control voltage	24 VDC
Colour	Black grey RAL 7021
Paint thickness	150 µ

* Calculated speed at 20° C

All specifications are subject to change without notice. A list of options enables you to adapt the product more precisely to your needs and further information is available on request.

HEAD QUARTER AND PRODUCTION ELME Spreader AB

Phone +46 10 222 18 00
Email sales@elme.com
Website www.elme.com

SALES AND SPARE PARTS ELME Spreader Trading (Shanghai) Co., Ltd

Phone +86 21 5169 8922
Email sales.cn@elme.com

SPARE PARTS ELME Americas Inc.

Phone +1 731 588 02 20
+1 731 332 09 29
Email sales.us@elme.com

Visit www.elme.com for details, spare parts and more products.

ELMETM
Swedish Spreader Systems